
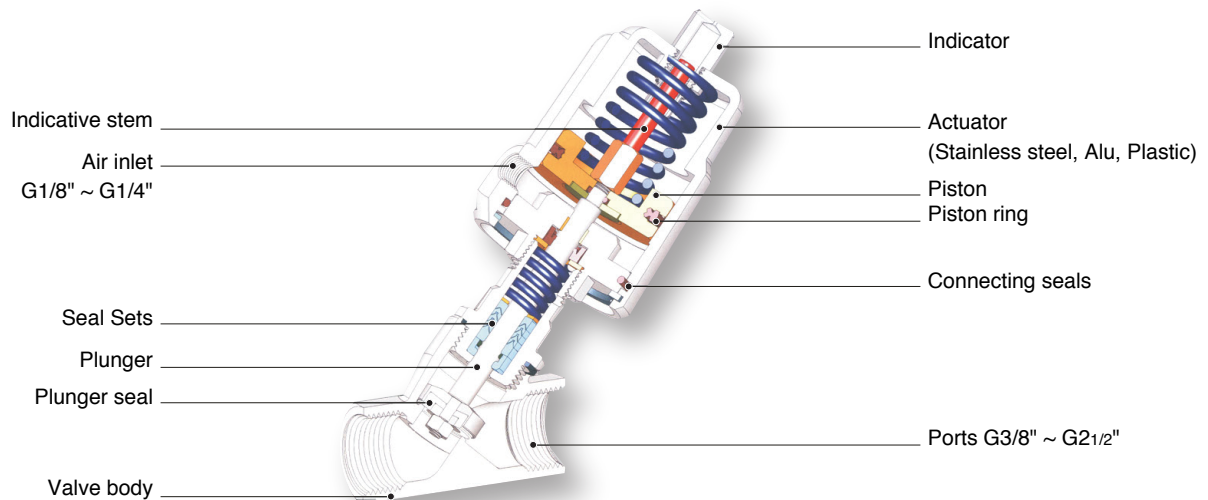


SPECIFICATIONS 2VR Air-piloted Bevel Valve 2/2

Specifications :		Models
<ul style="list-style-type: none"> • Can see the position indication ; • Easy to install ; • Actuator adopt low abrasion piston structure, big capacity and low wastage ; • There is lubricative for inner parts, no need maintenance ; • Long life for the piston pole, PTFE seal ; • No water hammer effect, when the liquid flowed from valve underside. 		
Applicable medium	Water, liquid, neutral gas, oil water steam, weak acid or weak alkalis solution.	
Thread	G3/8" to G2 1/2"	
Orifices	DN15 ~ DN65	
Dia. piston actuator in mm	ø40 to ø100	
Max. viscosity in mm ² /sec.	600	
Environment temperature in °c	-10 ~ +60	
Medium temperature in °c	-10 ~ +180	
Controlling medium	Air or Neutral gas	
Controlling pressure range in Mpa [bar]	0,3 ~ 1 [3 ~ 10]	
Liquid working pressure in Mpa [bar]	0 ~ 1,6 [0 ~ 16]	
Material	Body	Inox 316
	Actuator	Stainless steel, Aluminium, Plastic
	Cylinder piston seal / plunger seal	PTFE / PTFE / FKM

3

INNER PARTS 2VR Air-piloted Bevel Valve 2/2



REFERENCES 2VR Air-piloted Bevel Valve 2/2

2VR 40 S 03 - SE

Fonctions : Single acting : **SE**
 Double acting : **DE**
 Normally open : **NO**

Ports thread : G3/8" : **03**, G1/2" : **04**, G3/4" : **06**,
 G1" : **10**, G1 1/4" : **12**, G1 1/2" : **14**,
 G2" : **20**, G2 1/2" : **22**

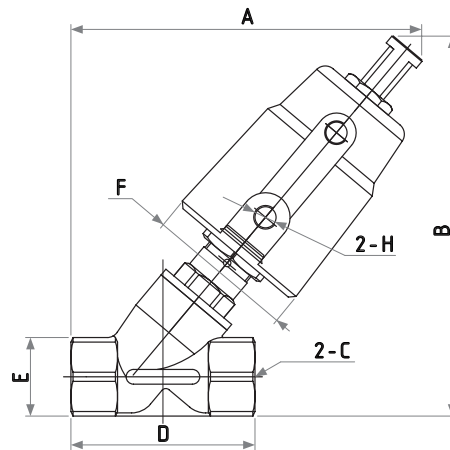
Material of actuator : Standard aluminium : **Blanc**
 Stainless steel : **S**
 Plastic : **P**

Ø Piston actuator : **40, 50, 63, 80, 100**

Bevel air-piloted valve 2/2 : **2VR**

DIMENSIONS 2VR-S Air-piloted Bevel Valve 2/2 - Stainless Steel

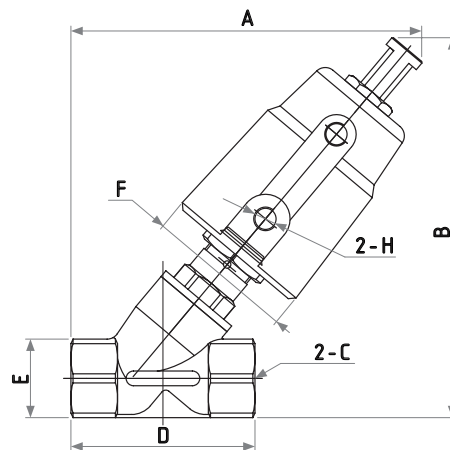
2VR-S



Model	Ø piston	A	B	C	D	E	F	H
2VR40S-03	40	127.5	136	G3/8"	69	27	50	G1/8"
2VR40S-04	40	127.5	136	G1/2"	69	27	50	G1/8"
2VR50S-03	50	140	150	G3/8"	69	27	60.5	G1/8"
2VR50S-04	50	140	150	G1/2"	69	27	60.5	G1/8"
2VR50S-06	50	143	155	G3/4"	75.5	32	60.5	G1/8"
2VR50S-10	50	163.5	176	G1	90	39	60.5	G1/8"
2VR63S-10	63	174.5	189.5	G1	90	39	77	G1/8"
2VR63S-12	63	190.5	207.5	G1-1/4"	117	50	77	G1/8"
2VR63S-14	63	190.5	207.5	G1-1/2"	117	55	77	G1/8"
2VR63S-20	63	219.5	232.5	G2"	145	70	77	G1/4"
2VR80S-20	80	233	253	G2"	145	70	98	G1/4"
2VR80S-22	100	270	290.5	G2-1/2"	170	85	116	G1/4"

DIMENSIONS 2VR Air-piloted Bevel Valve 2/2 - Aluminium

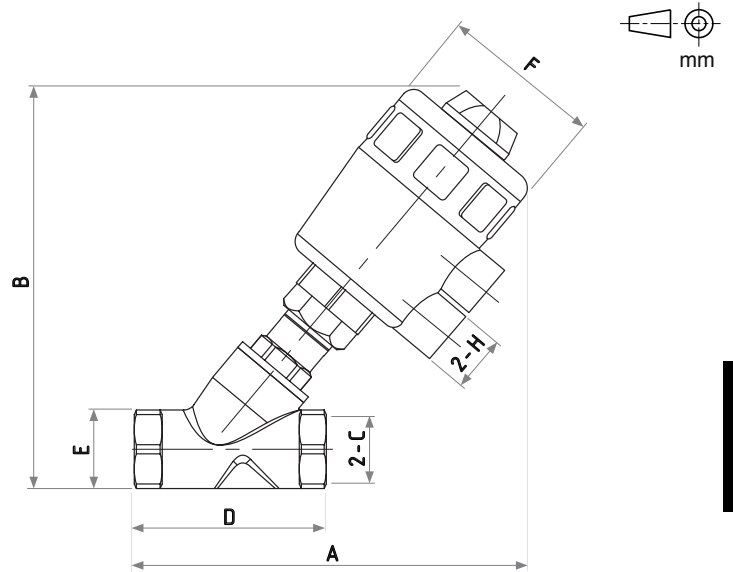
2VR



Model	Ø piston	A	B	C	D	E	F	H
2VR50-03	50	140	150	G3/8"	69	27	60.5	G1/8"
2VR50-04	50	140	150	G1/2"	69	27	60.5	G1/8"
2VR50-06	50	143	155	G3/4"	75.5	32	60.5	G1/8"
2VR50-10	50	163.5	176	G1	90	39	60.5	G1/8"
2VR63-10	63	174.5	189.5	G1	90	39	77	G1/8"
2VR63-12	63	190.5	207.5	G1-1/4"	117	50	77	G1/8"
2VR63-14	63	190.5	207.5	G1-1/2"	117	55	77	G1/8"
2VR63-20	63	219.5	232.5	G2"	145	70	77	G1/4"
2VR80-20	80	233	253	G2"	145	70	98	G1/4"
2VR100-22	100	270	290.5	G2-1/2"	170	85	116	G1/4"

DIMENSIONS 2VR-P Air-piloted Bevel Valve 2/2 - Plastic

2VR-P



Model	∅ piston	A	B	C	D	E	F	H
2VR50P-03	50	148	158	G3/8"	69	27	63	G1/4"
2VR50P-04	50	148	158	G1/2"	69	27	63	G1/4"
2VR50P-06	50	151	162	G3/4"	75	32	63	G1/4"
2VR50P-10	50	173	184	G1	90	39	63	G1/4"
2VR63P-10	63	198	210	G1	90	39	79	G1/4"
2VR63P-12	63	215	229	G1-1/4"	117	55	79	G1/4"
2VR63P-14	63	215	229	G1-1/2"	117	55	79	G1/4"
2VR63P-20	63	238	251	G2"	137	70	79	G1/4"
2VR80P-20	80	255	263	G2"	137	70	100	G1/4"